

**SERVICE  
BULLETIN**

**FILTER CHANGE**

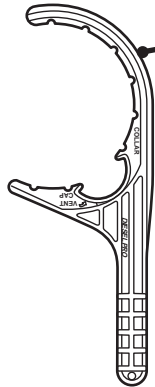
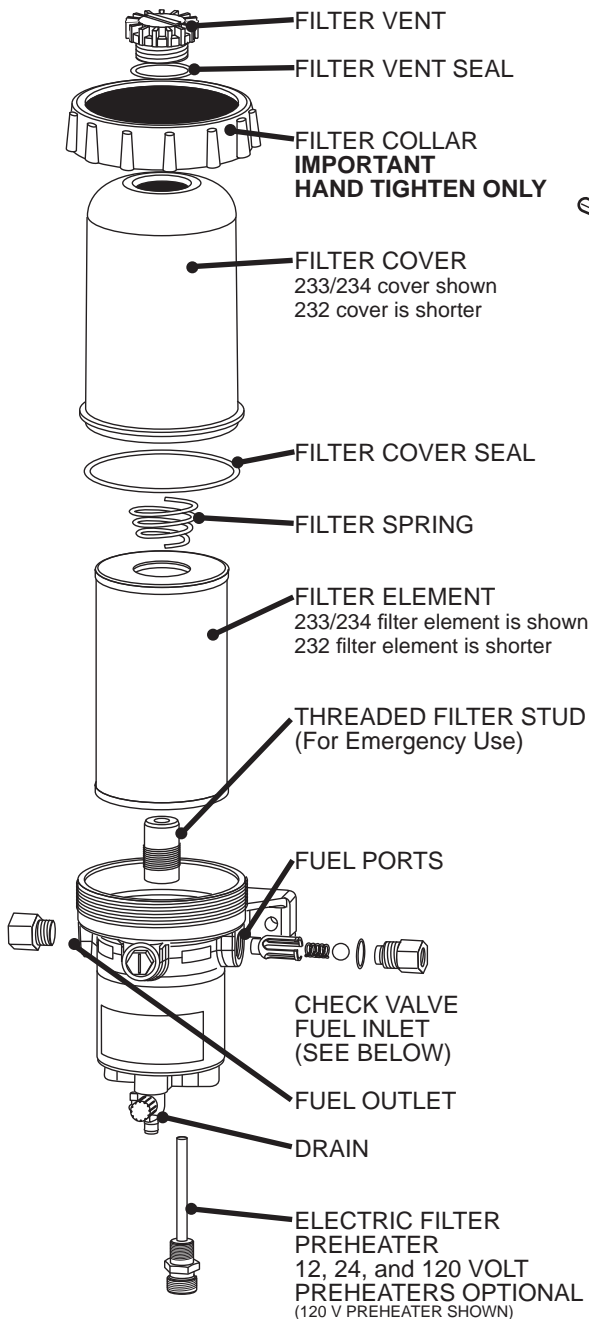
1. DRAIN FUEL BELOW COLLAR LEVEL.
2. REMOVE COVER. USE DAVCO WRENCH 232002 OR 232007 TO REMOVE COLLAR.
3. REMOVE FILTER AND DISPOSE OF PROPERLY.
4. INSTALL CLEAN FILTER. BE SURE GROMMET IS IN PLACE ON THREADED STUD.
5. INSTALL COVER SEAL ON COVER. INSTALL COVER with SPRING. HAND TIGHTEN COLLAR.
6. REMOVE FILTER VENT. FILL WITH FUEL UNTIL FUEL IS ONE (1) INCH ABOVE COLLAR. REPLACE FILTER VENT.
7. START ENGINE. RAISE R.P.M. FOR ONE MINUTE TO PURGE AIR.

**EMERGENCY —  
TEMPORARY FILTER  
REPLACEMENT:**

1. FOLLOW STEPS 1 to 4 ABOVE.
2. REMOVE FILTER GROMMET IF ON FILTER STUD.
3. INSTALL STANDARD ENGINE SPIN-ON FILTER (FF105 or equivalent) ON THREADED STUD.
4. INSTALL COVER, SPRING, SEAL AND COLLAR. SEE STEPS 5 THROUGH 7 ABOVE.

**DRAIN CONTAMINANTS:**

1. TURN OFF ENGINE. OPEN FILTER VENT.
2. OPEN THE DRAIN VALVE.
3. COLLECT WATER INTO A CUP.
4. WHEN FUEL FLOWS OUT OF THE DRAIN, CLOSE THE VALVE. (DRAIN MINIMUM AMOUNT OF FUEL POSSIBLE).
5. CLOSE THE FILTER VENT.
6. START THE ENGINE. RAISE R.P.M. FOR ONE MINUTE TO PURGE AIR.



**BALL CHECK-VALVE SERVICE**  
Service Kit DAVCO PN 101824  
(Check Valve Body DAVCO PN 101930)

Covered under one or more of the following U.S. patents: 436816, 4421090, 4428351, 4612897, 5766449 and foreign patents or others pending.