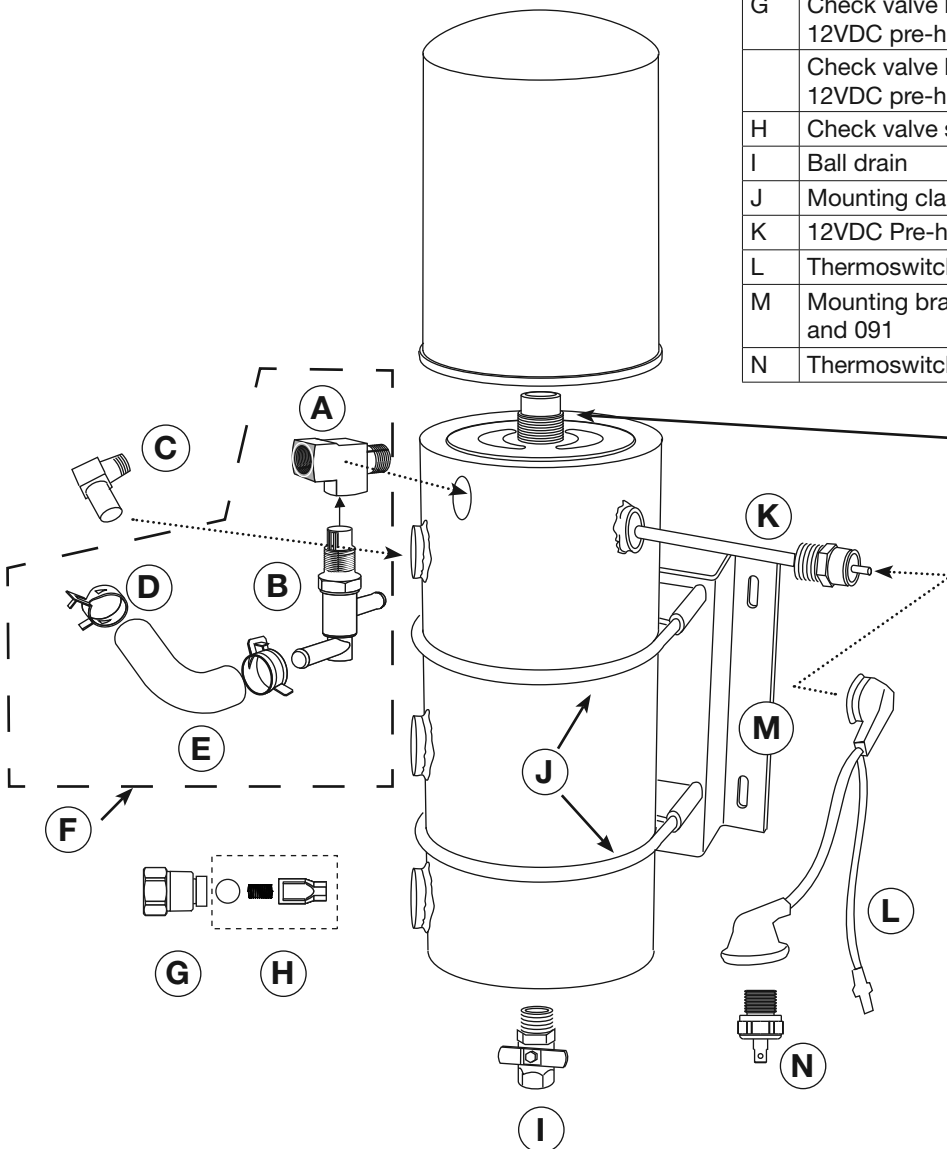


	Description	Part Number
A	1/2" Street tee	020847
B	Valve assembly	100624
C	5/8" hose to 3/4 NPTF elbow	027563
D	Constant tension clamps (2 per installation)	100660
E	Formed hose	100659
F	Service Kit - Contains A-E	101489
G	Check valve body (for use with 12VDC pre-heater)	100147
	Check valve body (for use without- 12VDC pre-heater)	090037
H	Check valve service kit	101132
I	Ball drain	101256
J	Mounting clamp (2 per installation)	380075
K	12VDC Pre-heater	100688
L	Thermoswitch wire harness	101204
M	Mounting bracket: Use on 321, 329 and 091	320046
N	Thermoswitch for 12VDC pre-heater	101133



Filter mounting studs for emergency Spin-On filter use only. (Stud thread is dictated by filter used.)

Thread-Pitch	Part Number
1"-14	320626
13/16"-12	320620
1"-12	320618
13/16" -18	320619
1 1/16"-16	320624
M30 x 1.5	101923